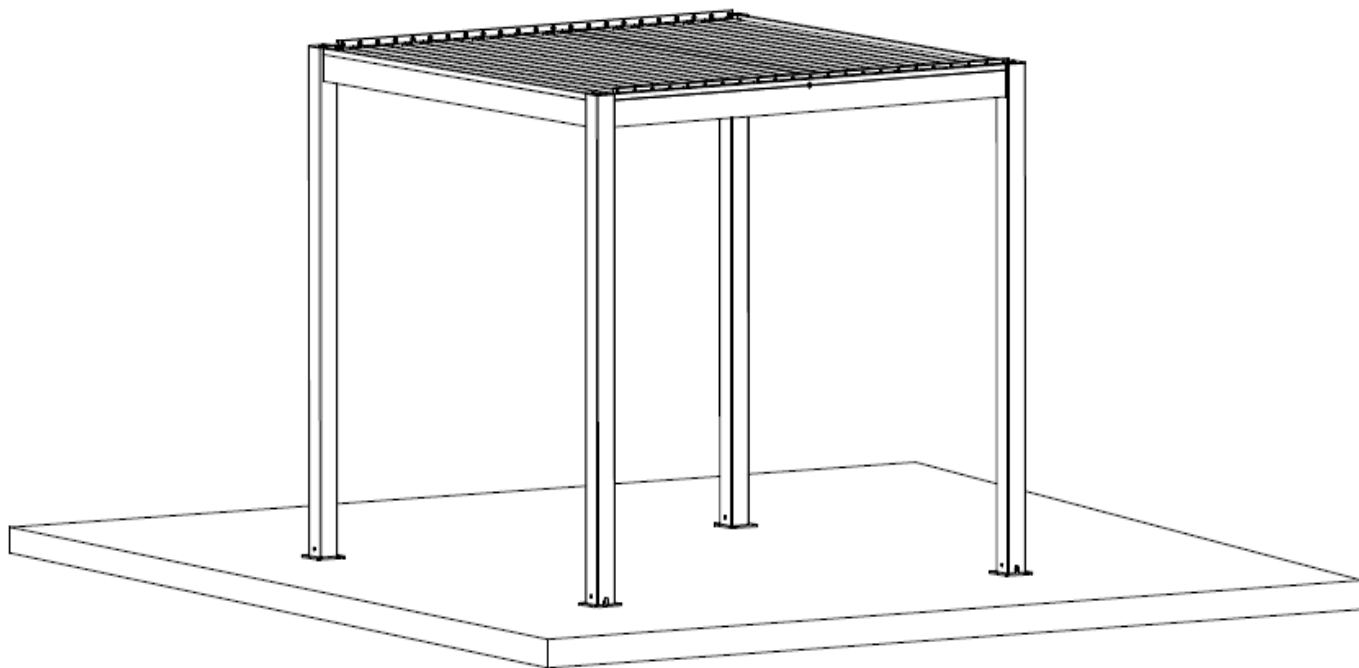


Mounting and User Instructions for GR-102 pergola Size:300x400 cm



Content

Tools and man force	2
Parts List.....	3-4
Product Description.....	4
Safety Instruction.....	4
Mounting.....	4-16
Discounting.....	17
Storage.....	17
Disposal.....	17



Attention:

Read this instruction manual carefully and completely before mounting and usage. Keep this manual for future reference.

Dear Customer,

congratulations and thank you for buying an Pergola out of GR-102 pergola . To enjoy this product for a long time and for your own and the safety of other people please obey the mounting instructions.

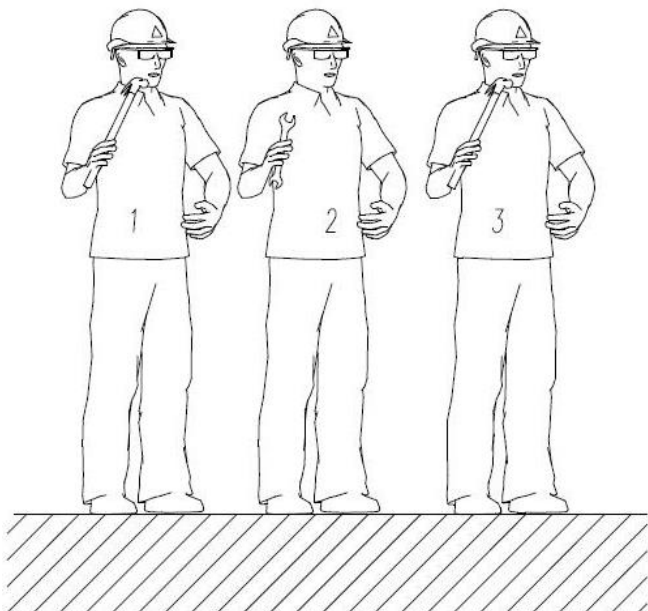
Before you start mounting and using the Pergola, please get familiar with this product. Make sure all parts listed up in below packing lists are delivered and intact. If you find that there are parts missing or damaged please do not install the Pergola but contact your dealer. Do not start the mounting if parts are missing our defect.



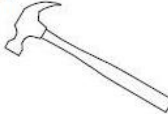
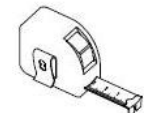


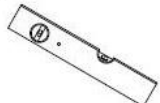
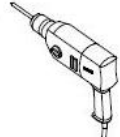
Tools and man force

Recommended : 3 workers

Additional tools :



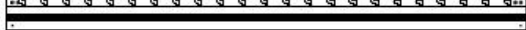


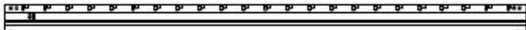
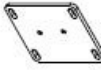




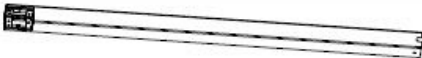





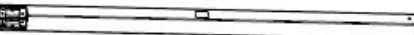







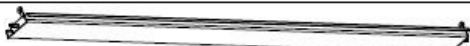


- 1.Ladder
- 2. M10/13 open wrench supplied
- 3.Rubber mallet
- 4.Tape measure
- 5. 5mm hexagon wrench supplied
- 6.Pencil
- 7.Spirit level
- 8.Electric drill



<p>1.  >1,5m x 2 13mm</p>	<p>2.  M10/13 open wrench supplied</p>	<p>3. </p>
<p>4. </p>	<p>5.  5mm Hexagon wrench supplied</p>	<p>6. </p>
<p>7. </p>	<p>8. </p>	

Parts List

Please check all parts against the parts list before commencing construction of pergola.

①	 x8	⑨	 x1	Ⓐ	 x1
②	 x2	⑩	 x1	Ⓑ	 x1
③	 x4	⑪	 x1	Ⓒ	 x2
④	 x4	⑫	 x16	Ⓓ1	 x1
⑤	 x2	⑬	 x1	Ⓓ2	 x2
⑥	 x100	⑭	 x62	Ⓓ3	 x1
⑦	 x64	⑮	 x1	Ⓔ	 x2
⑧	 x64	⑯	 x1	Ⓕ	 x2
				Ⓖ	 x30
				Ⓖ	 x1
				Ⓖ	 x1
				Ⓖ	 x2

Hardware and other parts:

<input type="checkbox"/> ,1M8x20 countersunk screw	<input type="checkbox"/> ,2Strengthen pivot pin
<input type="checkbox"/> ,3Base plate	<input type="checkbox"/> ,4Upright cover
<input type="checkbox"/> ,5M10 screw cap	<input type="checkbox"/> ,6M8x20 Hexagon bolt
<input type="checkbox"/> ,7Plastic Spacer	<input type="checkbox"/> ,8Locking nut
<input type="checkbox"/> ,9Motor	<input type="checkbox"/> ,10Motor parts
<input type="checkbox"/> ,11Motor mount	<input type="checkbox"/> ,12M8X100 expansion bolt
<input type="checkbox"/> ,13Motor driving bracket	<input type="checkbox"/> ,14Louver washer
<input type="checkbox"/> ,15Gutter connector	<input type="checkbox"/> ,1650 to 40 connector

Aluminum profile parts list:

<input type="radio"/> ,ABeam with slots	<input type="radio"/> ,BBeam with motor direction & slots
<input type="radio"/> ,CBeam	<input type="radio"/> ,D1Post + post connector
<input type="radio"/> ,D2Post + post connector	<input type="radio"/> ,D3Post + post connector
<input type="radio"/> ,EGutter	<input type="radio"/> ,FGutter
<input type="radio"/> ,GCommon louver	<input type="radio"/> ,HCentre louver
<input type="radio"/> ,IDriving louver	<input type="radio"/> ,JControl rod

Product Description

Make the most of your outdoor living area with your pergola. Relax and enjoy the outdoors while being protected from sun. The pergola coated aluminum frame pergola is perfect for shading your garden, deck, courtyard or swimming pool.

Important Safety Instructions

Warning: For your own and the safety of other persons it is important to follow below instructions and obey warnings.

Symbol explanation



This warning triangle calls attention to hazards that can lead to death or to severe injuries or which are important for the functioning of the Pergola.



This sign identifies important notes.

Safety instructions



To install this pergola technical knowledge is necessary. Do not mount this pergola yourself but contact a professional workman for help if

- ◆ you are unsure if the pergola can be mounted on the place you chose for installation.
- ◆ you do not understand the instruction manual or parts of it.
- ◆ you do not have necessary tools available.
- ◆ you do not have necessary technical knowledge



A minimum of three healthy adults are required to move and install the pergola as the product is big and heavy. Do not try to install the pergola alone. If the pergola falls, it could cause serious injuries and damages! Contact an authorized assembler for help.



Do not install the pergola when you find damage parts are that parts are missing.
Contact your dealer.



Keep children and pets out of the working area during assembly and adjustments.



This product and its fixing parts are only suitable for installation on a plain cement wall or stable unrendered brickwork. If the wall/brickwork shows cracks you have to consult a professional.



Nobody is allowed to change the products' design and structure without the permission of manufacture or authorized deputy.



Please make sure that your hands are clean at the time of the assembly; otherwise you may soil frame.



Nobody is allowed to climb onto the Pergola. Hanging anything on the Pergola is forbidden.

Sheeting was used to protect the paint. This must be removed afterwards.

This structure is a non-permanent structure and the warranty does not cover damage incurred under extreme weather conditions including heavy rain, high winds or if exposed to high heat from heaters or BBQs.



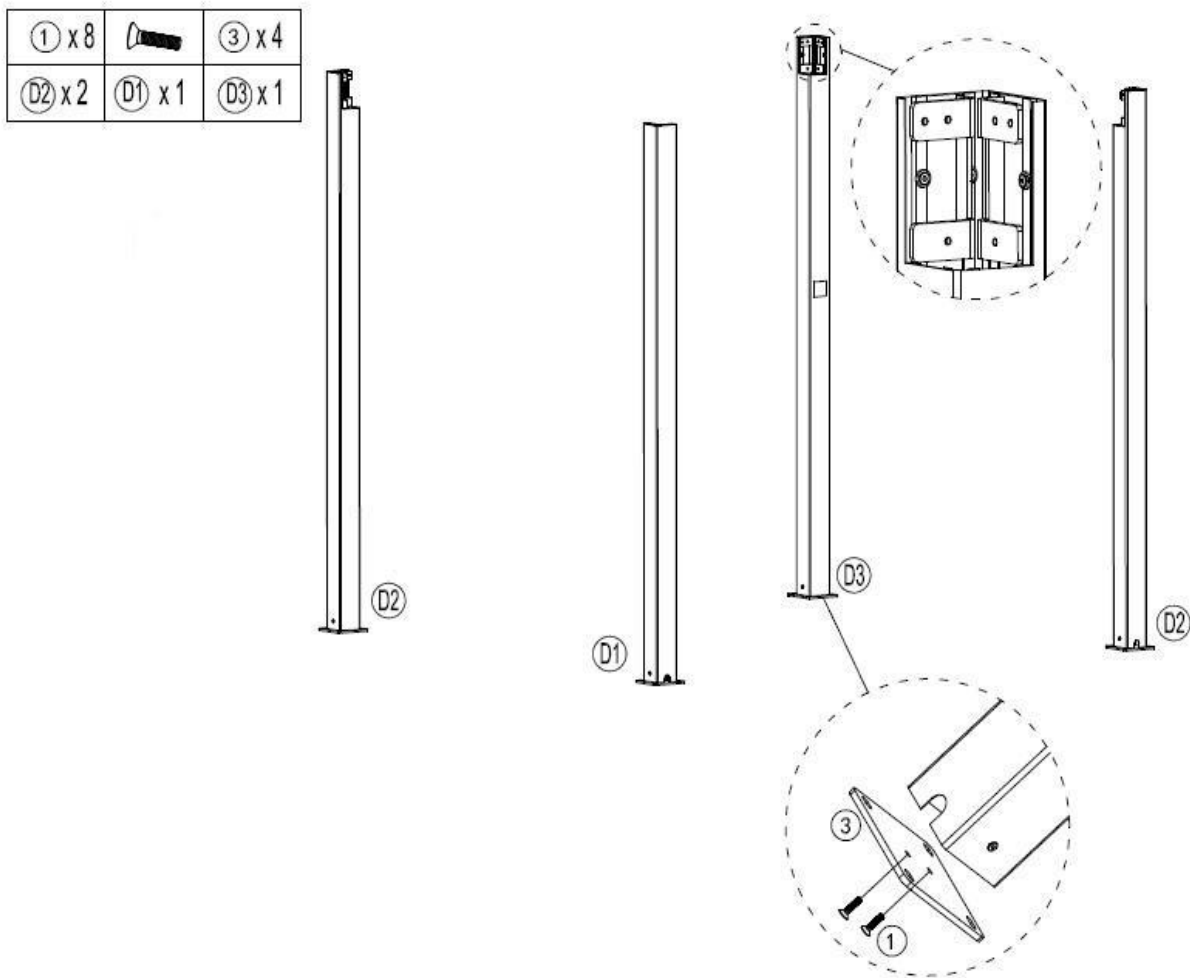
Safety precautions should always be followed when assembling and using this product to reduce the risk of personal injury and damage to equipment. Please read all instructions before assembly and use. Never leave children unattended around/under this pergola. Do not attempt to assemble or use the pergola in moderate or heavy wind conditions. Always **keep the pergola louver open** and secure it during heavy winds or extreme weather conditions to avoid damage to the pergola or personal injury.

Mounting and usage





Step 1






Attach base plate $\text{O}, 3 \times 4$ to the bottom of posts ($\text{O}, D1 \times 1$, $\text{O}, D2 \times 2$ and $\text{O}, D3 \times 1$), use bolts $\text{O}, 1 \times 8$ to attach with hex key or electric drill

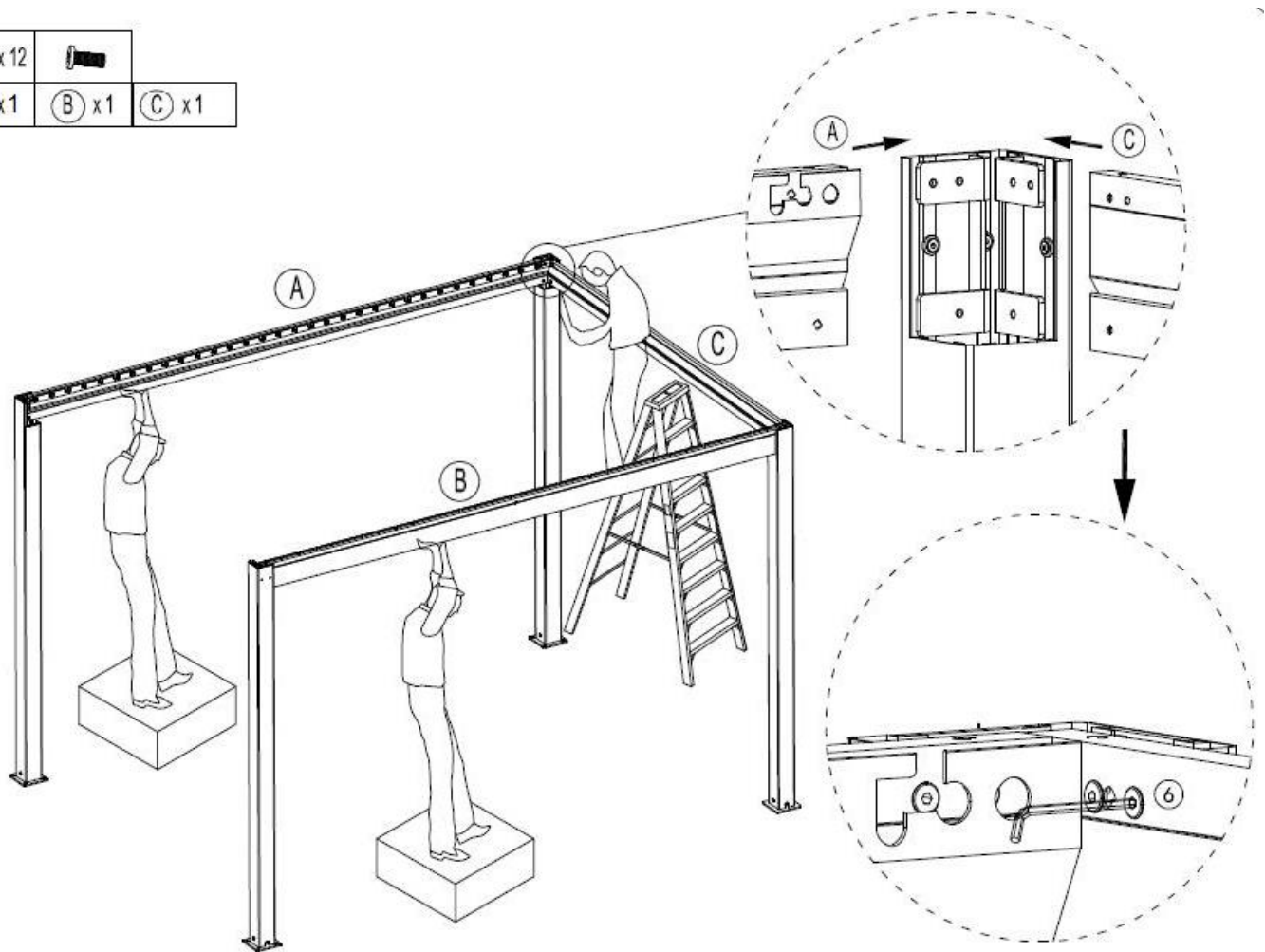
$\text{O}, D2$ posts should be installed diagonally as below





Step 2

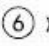

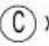
Attach beam , Ax1 , Bx1 and beam , Cx1, use bolts , 6 to fasten

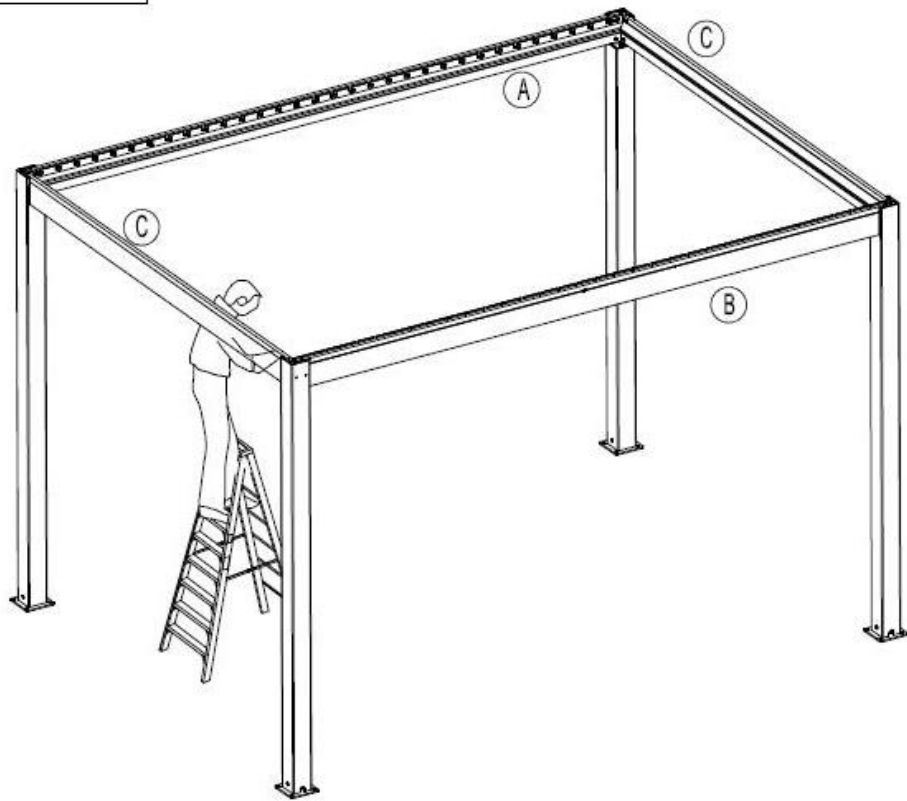
 x12		
 x1	 x1	 x1



Step 3

Attach beam , Cx1, use bolts , 6x12 to fasten

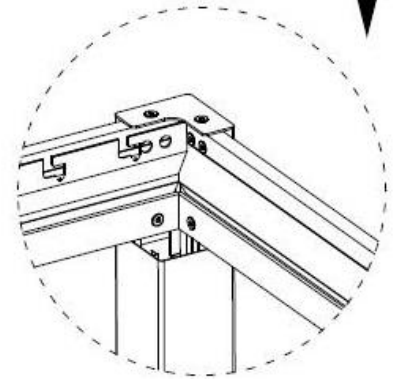
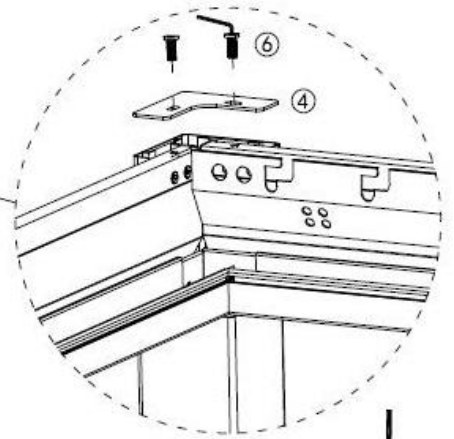
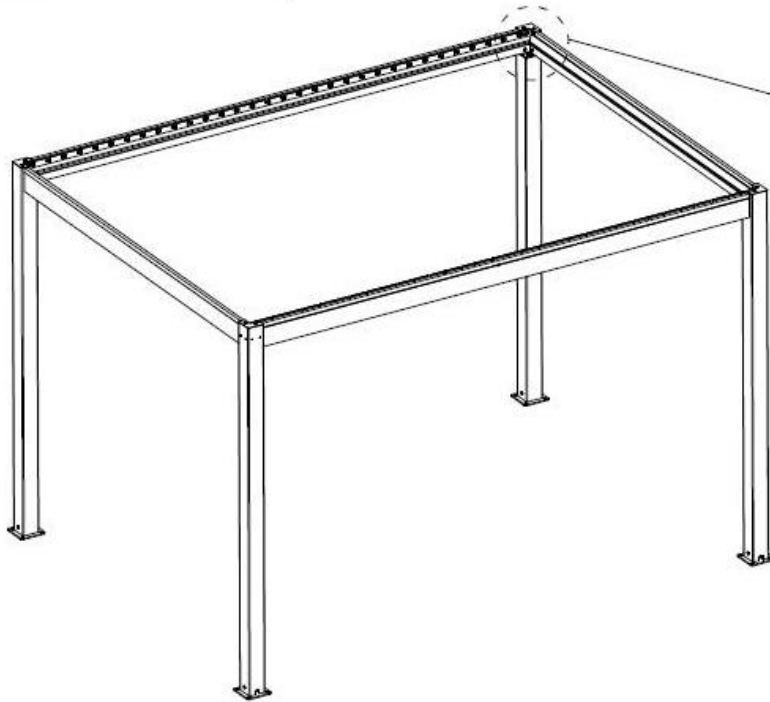
 x12		 x1



Step 4

Attach upright cover \bigcirc ,4x4,use bolts \bigcirc ,6x8 to fasten

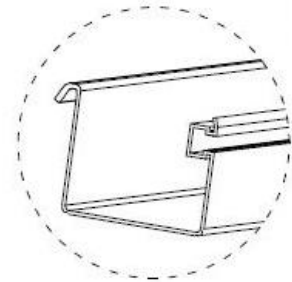
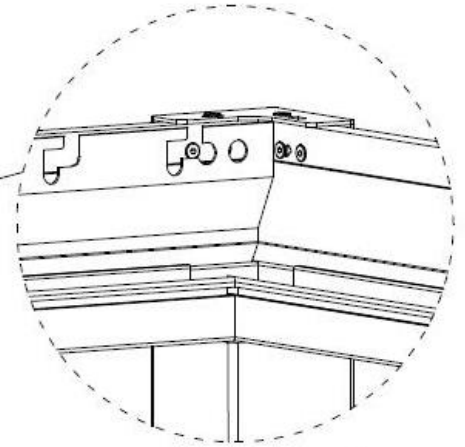
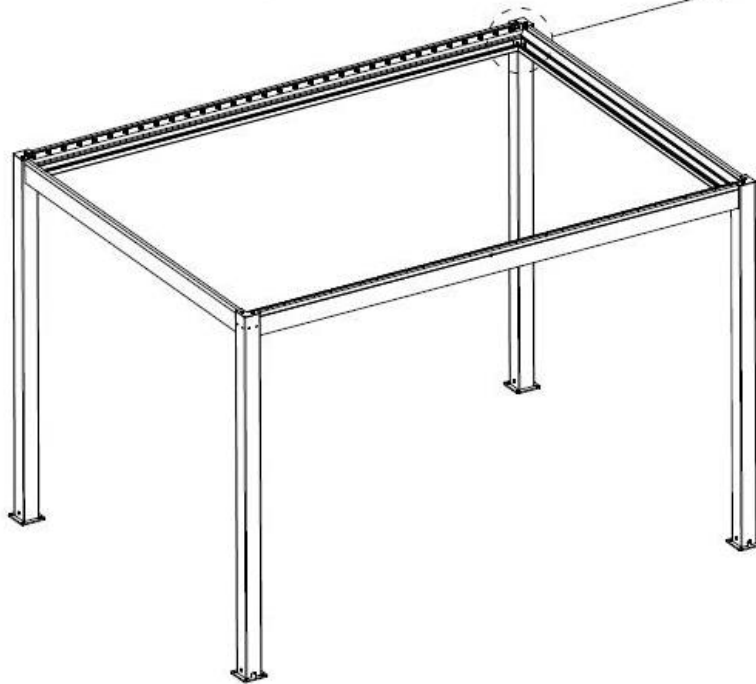
⑥ x8		
④ x4		



Step 5

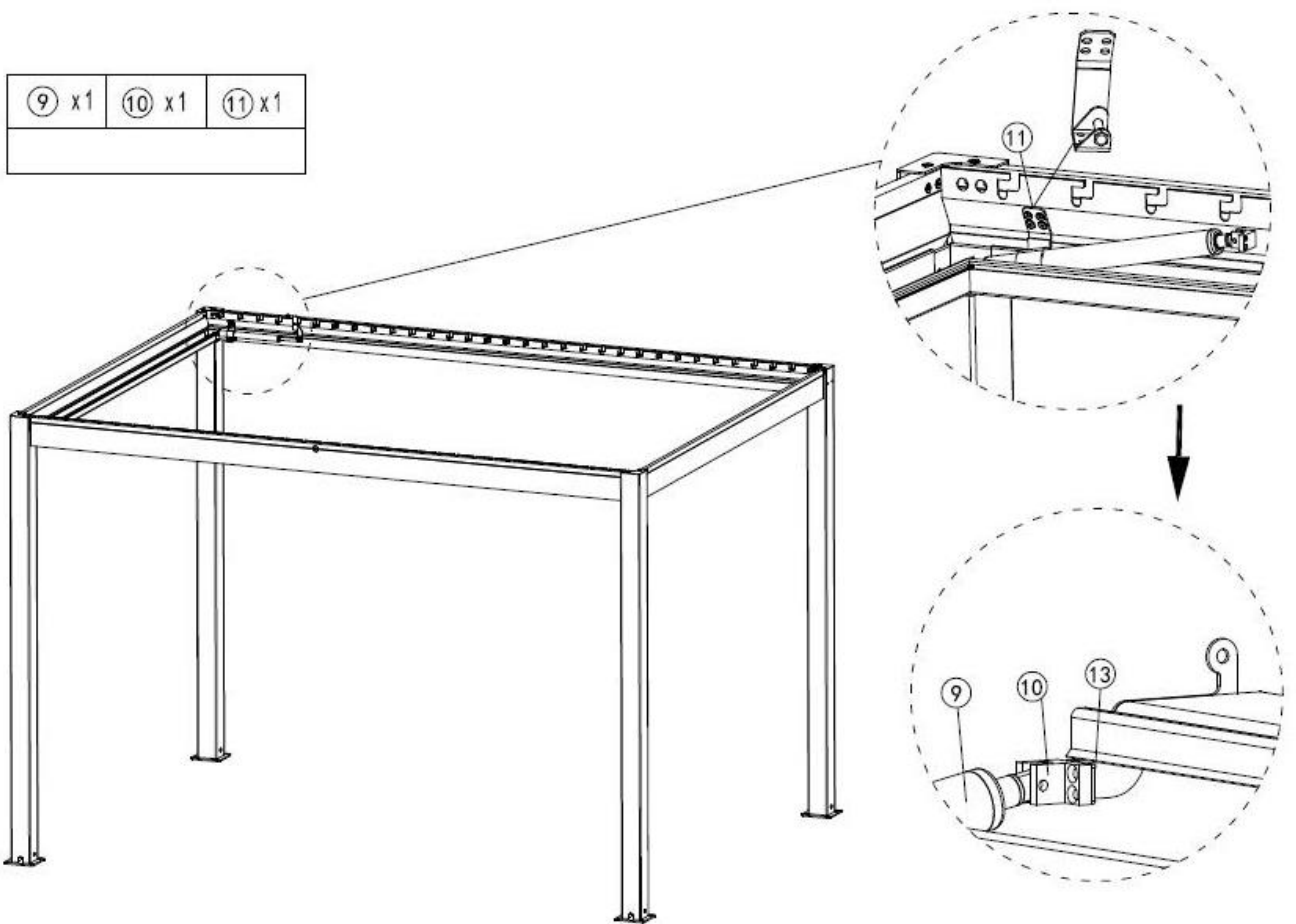
Attach all four gutters (○,Ex2 and ○,Fx2)by hooking inside the ○,A, ○,B, ○,Cbeams

○,E x2	○,F x2	



Step 6

Fasten motor ⑨,9x1, motor parts ⑩,10x1 and motor mount ⑪,11 x1 as diagram below and confirm ⑬,13 and ⑪,11 joining well.



Step 7

Located holes in centre of beams (○,A and ○,B)

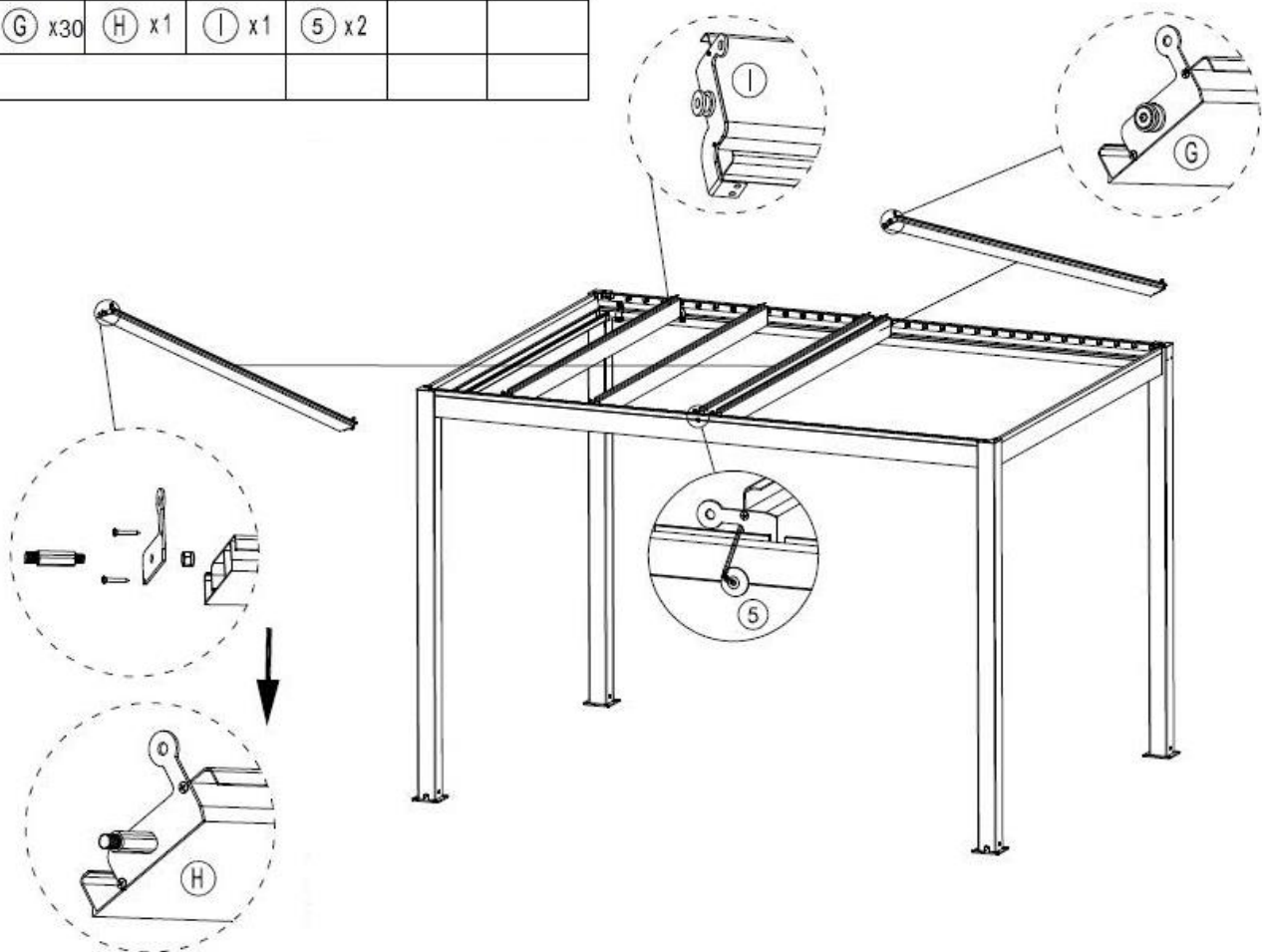
Place centre louver ○,H into **fifteenth slot**, lining up with the holes.

Using M10 nut ○,5X2, secure the louver in place

Place Driving louver ○,I in line with **sixth slot** on the beam ○,A and ○,B.

Fit all common louvers ○,Gx30 into the remaining slots in the beams

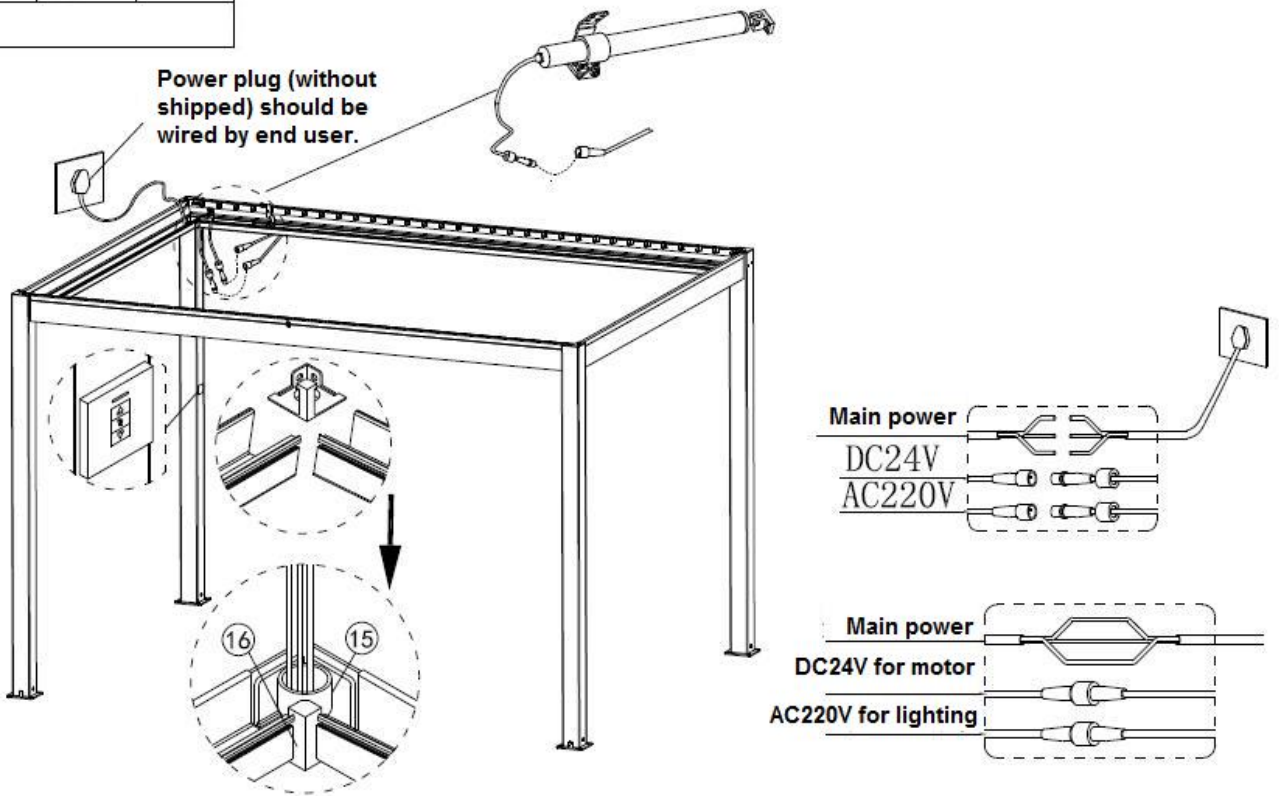
○,G x30	○,H x1	○,I x1	○,5 x2		



Step 8

Join the female and male plugs for led lighting (AC220V to AC220v) and motors(DC24V to DC24V) and wire to power plug accordingly.

15 x1	16 x1	



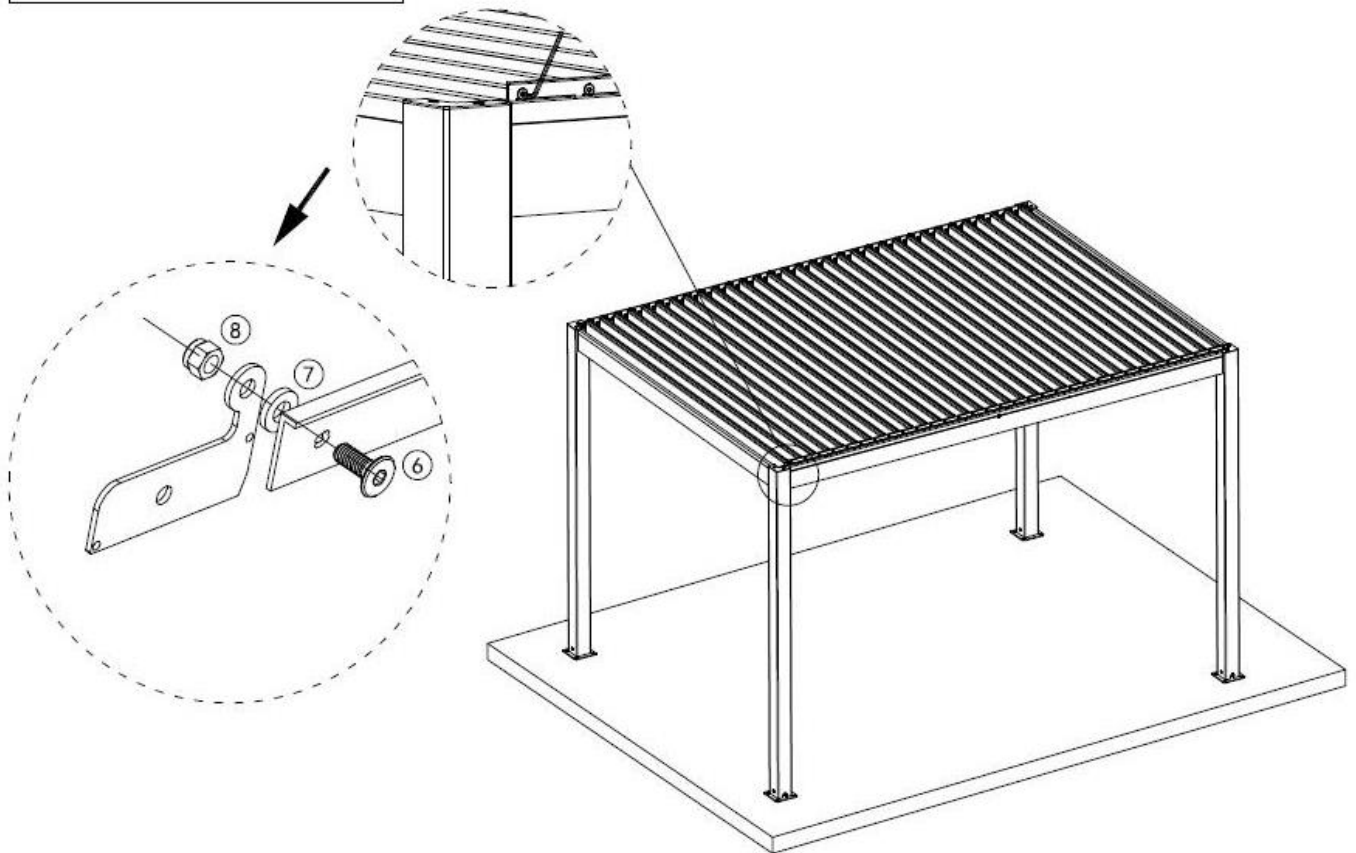
Step 9

Locate control rod \bigcirc , Jx 2 (Flat L shape aluminum bar). One is required for each end of the louvers.


Using bolt \bigcirc , 6x64, plastic spacer \bigcirc , 7x64 and nut \bigcirc , 8x64, secure the louvers at each end.

Note: Do not over tighten. Over tightening will prevent louvers from moving.

\bigcirc 6 x 64	\bigcirc 7 x 64	\bigcirc 8 x 64	J x 2



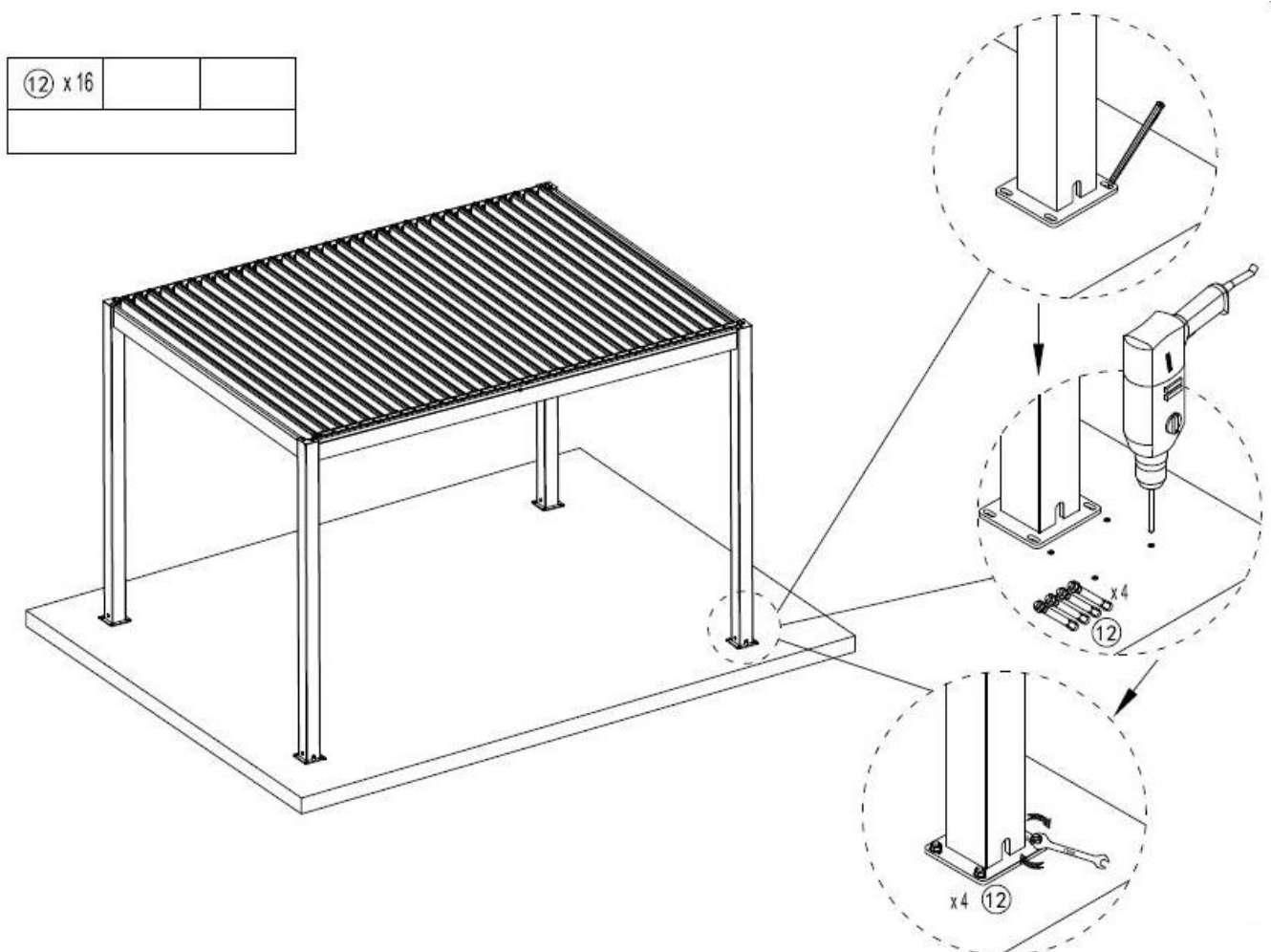
Step 10

Mark holes for expansion bolts , 12x4 per post.

Note: Drill size required is 12mm.

Insert bolts. Use a hammer drill if required. Place posts over bolts.

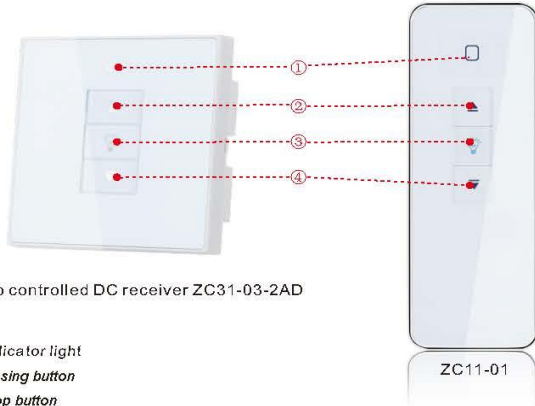
Tight nuts



WARNING: Ensure louvers are open during periods of mild to strong winds.

Motor setup

86 operation instructions for DC controller with lamp control



Lamp controlled DC receiver ZC31-03-2AD

- ① Indicator light
- ② Closing button
- ③ Stop button
- ④ Opening button

1. Product characteristics

- ▶ Exquisite and unique appearance design;
- ▶ 86*86 national installation standards;
- ▶ Using impulse current relay;
- ▶ Adopting precision SMT process, surface moisture-proof treatment;
- ▶ Parts of electrical apparatus meet the requirements of fire safety standards for electrical standards;
- ▶ Power supply safety protection, the power output time is 5 minutes;
- ▶ Cooperate with all kinds of launchers and tubular motors.

2. Product parameters

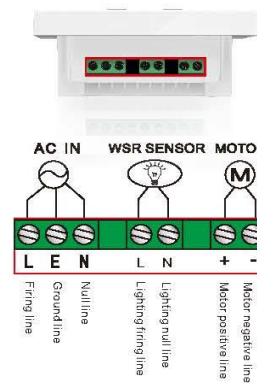
Product model	ZC31-03-2AD
Input voltage	AC100V-240V
Load power	Lamp≤500W Motor≤48W
Receiving / transmitting frequency	433.92MHz
Working temperature	-30℃~+65℃
Receiving sensitivity	-110dBm
Number of transmitters allowed	≤8 pcs
Operation mode	Remote / manual control

▲ Installation notes

- ▶ The main power source must be out off before installation.
- ▶ Transmission distance≤80 metres.
- ▶ Please use soft wire and soft cable.
- ▶ Please avoid electrostatic interference, otherwise, it will damage the components.
- ▶ Ensure that cable carriers are not affected by longitudinal forces after installation.
- ▶ Maintain a distance of 1.5 meters between receiver and ground.
- ▶ Maintain a distance of 0.3 meters between receiver and ceiling.
- ▶ Maintain a distance of 1.5 meters between receiver and motor.

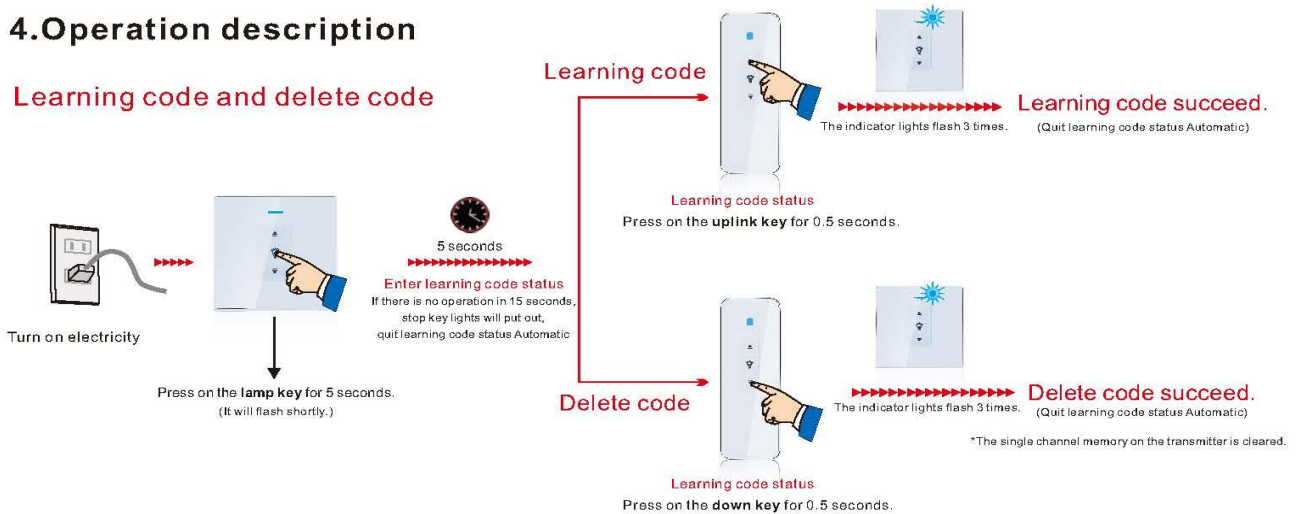
3. Product wiring

Lamp controlled DC receiver ZC31-03-2AD



4. Operation description

Learning code and delete code



Dismounting

When you don't want to use the Pergola anymore or if you want to dispose it one day you have to demount it.

Attention! At least two healthy adults are need for this step.

- ◆ **Keep the Pergola louvers open** before you begin with dismounting. Bind the **Louvers** of Pergola together to avoid unintended unfolding. This might cause damage and injury. You can use the protection band that was fixed on the Pergola when purchasing it.
- ◆ Follow the mounting instructions in reversed order to dismount the Pergola.
- ◆ Make sure that drilling holes in the wall will be sealed professional.
- ◆ **Attention! Safety hints and instructions have to be followed for dismounting as well.**

Storage

When you do not want to use the Pergola for a longer period of time it is recommended to take the Pergola out of the brackets and store it.

- ◆ Make sure that the frame is dry completely before storing.
- ◆ Store the Pergola at a dry and safe place that is not reachable for children.

Disposal

Do not dispose this Pergola with other household wastes. To prevent possible harm to the environment or human health from uncontrolled waste disposal, recycle it responsibly to promote the sustainable reuse of material resources. To return your used device, please use the return and collection systems or contact the retailer where the product was purchased. They can take this product for environmental safe recycling. Dispose packing materials according to local guidelines.

Konsumentkontakt

Arc E-commerce AB
Box 3124
13603 Haninge
Sverige